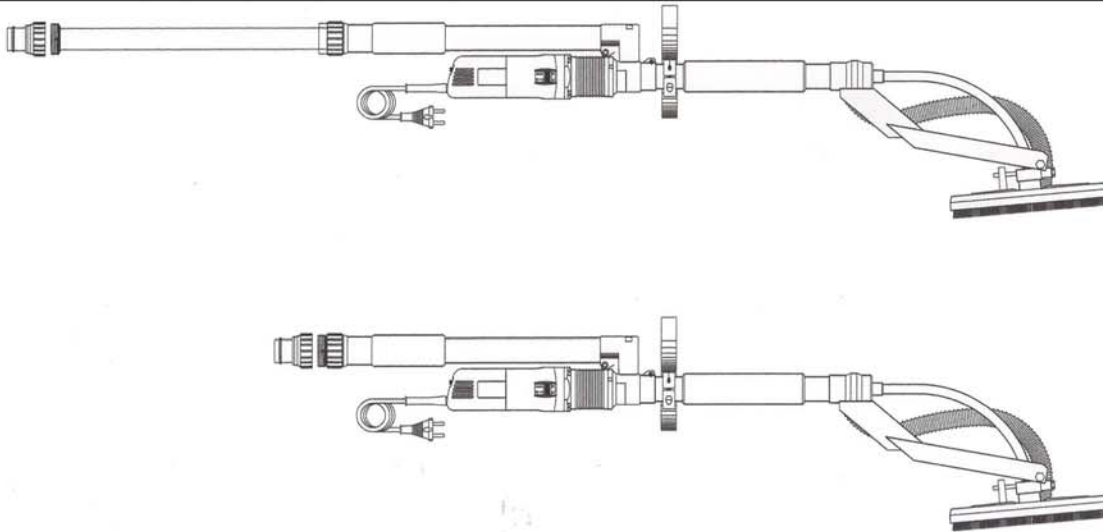


**“Ergonomic Design
Balance & Handling”**

Part List Manual: 09.108745
 Product: Wall & Ceiling Sander Ergo Classic Line
 Model Part Number: 23.1006999,
 23.1007200, 23.1007201, 23.1007202

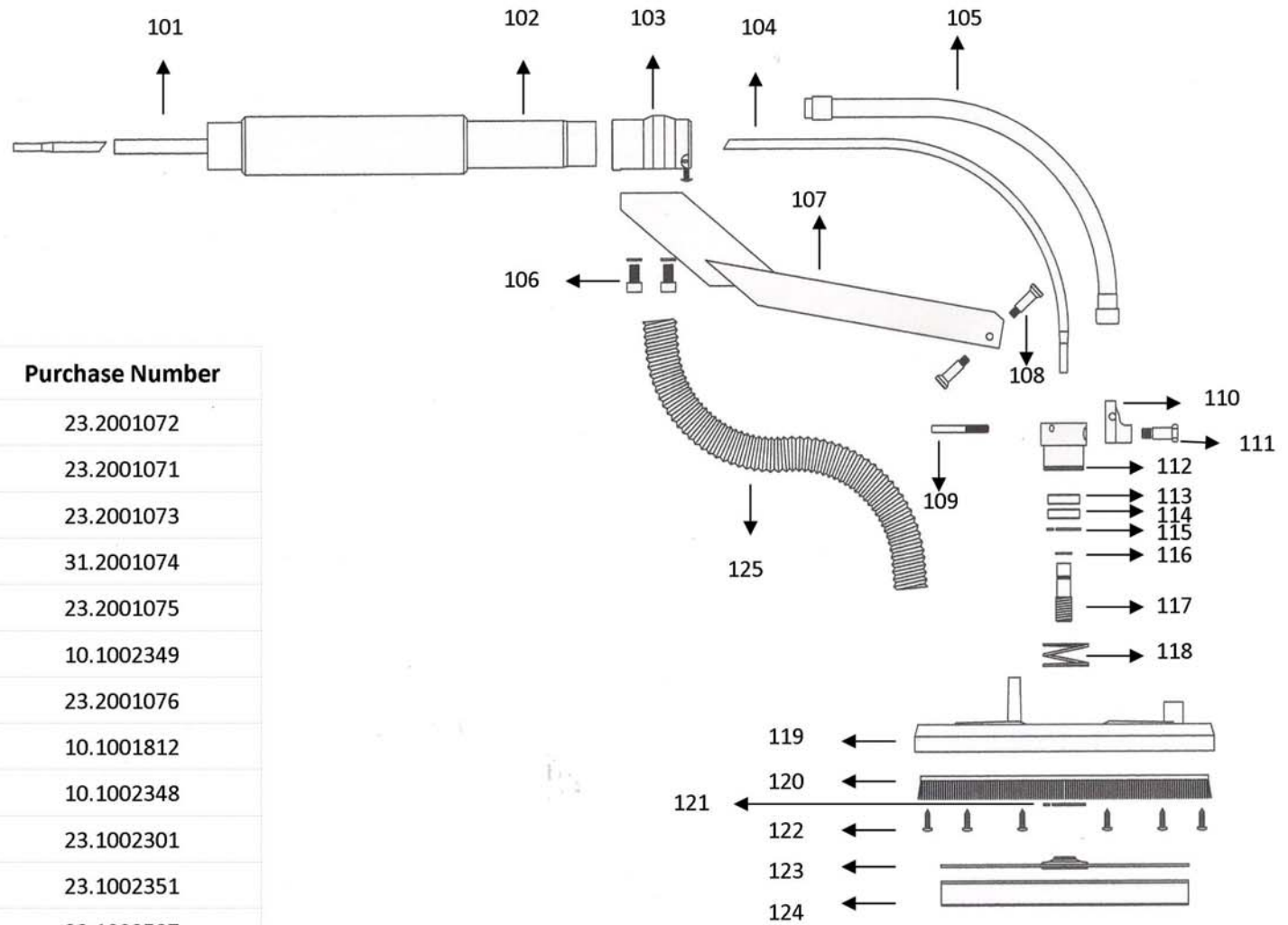
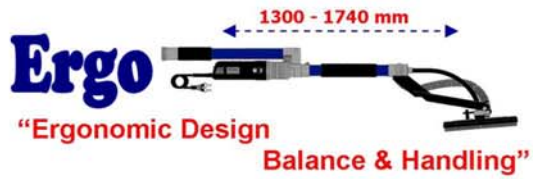


VEZOS Drywall sander Ergo Double Length, is a classic procedure sander for wall, ceiling and floor applications. The Ergo Classic Line can be connected to any branded vacuum collector with the VEZOS vacuum connectors found in each edition, for dustless sanding.

With the use of the hidden away retractable extension 45cm, the Ergo Classic line sander, instantly can change in length becoming a long neck sander (available in certain edition or purchased as an extra accessory)

For further tips or advice regarding the Ergo Classic drywall sander, visit our website www.vezos.co.uk or email our technical service department at technical@vezos.co.uk

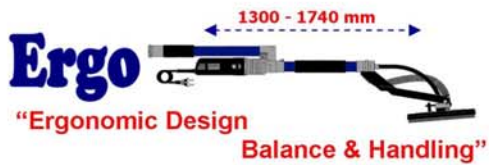
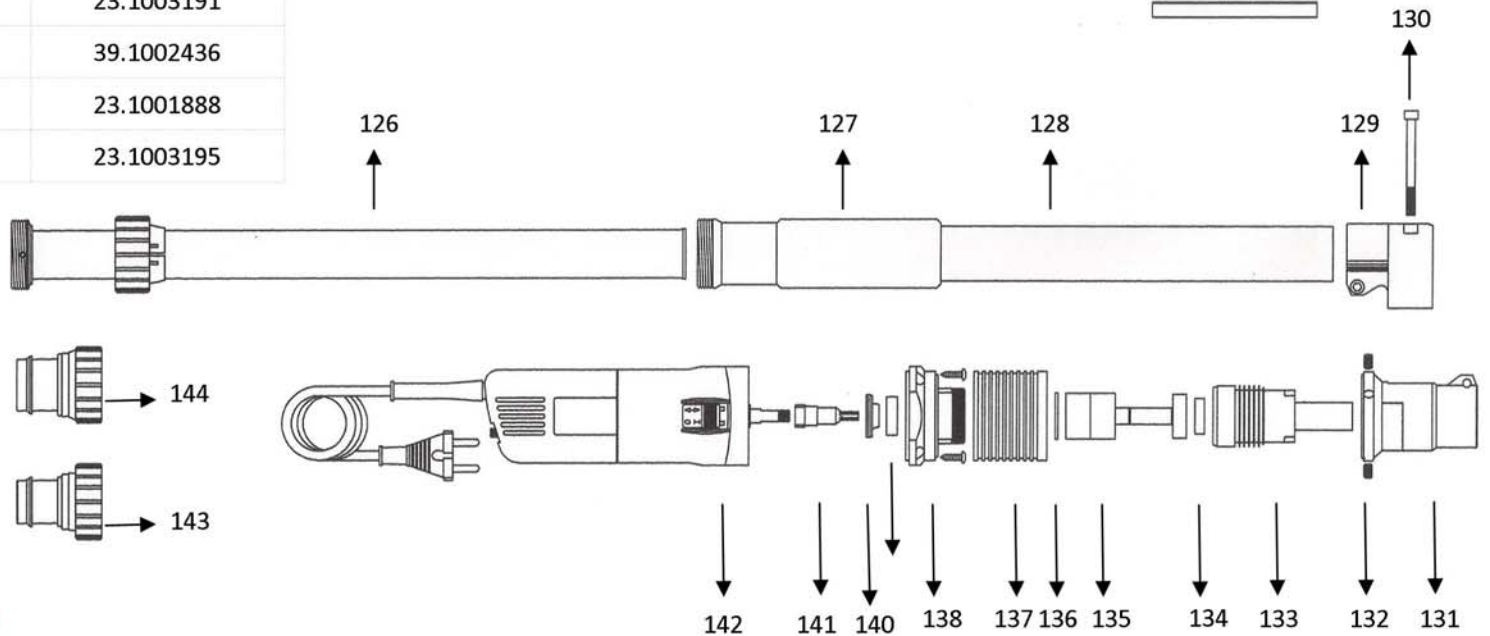
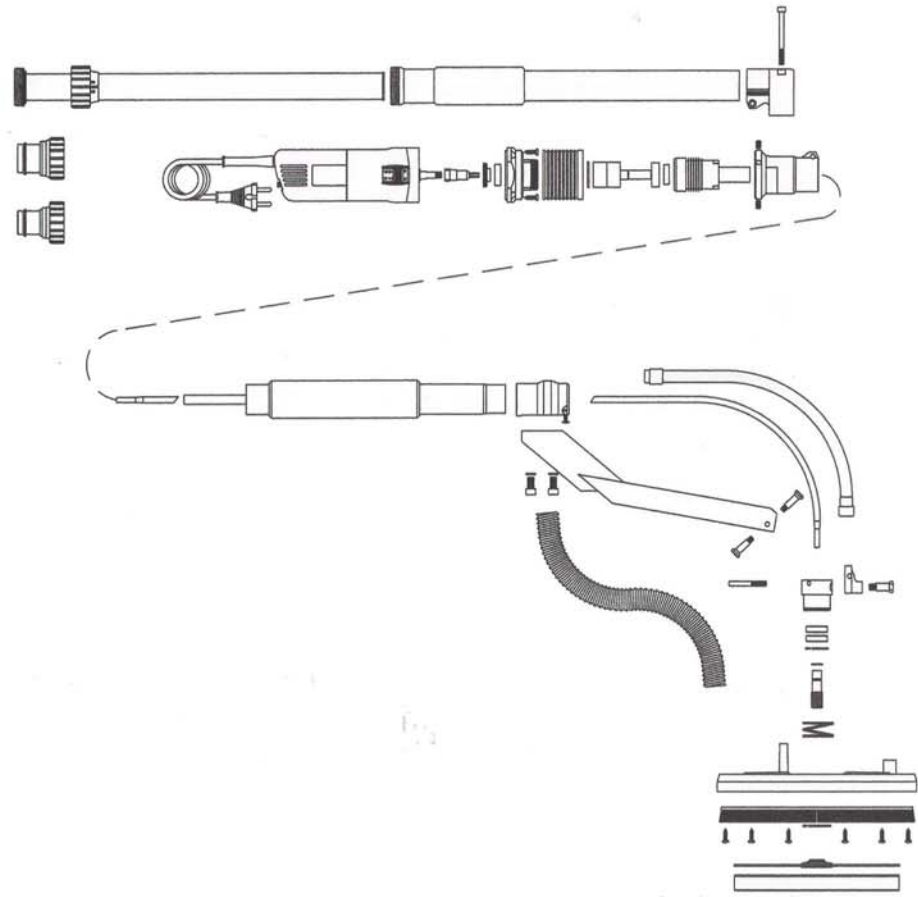
Product Number	23.1006999	23.1007200	23.1007201	23.1007202
Ergo Classic Edition	Ergo Smart	Ergo Basic	Ergo XXL	Ergo XL
Sander Line	Classic Line	Classic Line	Classic Line	Classic Line
Sanding Type	Classic	Classic	Classic	Classic
Rated Power	750 watt	750 watt	750 watt	750 watt
Voltage	220/110 volt	220/110 volt	220/110 volt	220/110 volt
Speed r.p.m.	550 - 1350	550 - 1350	550 - 1350	550 - 1350
Drive Cable	8mm	8mm	8mm	8mm
Power Cable	5m	5m	5m	5m
Weight	4.5kg	4.15kg	4.5kg	4.5kg
Overall Length	130-174cm	130cm	130-174cm	130-174cm
Working Height	294cm	250cm	250cm	250cm



Number	Description	Purchase Number
101	Guide	23.2001072
102	Main Body	23.2001071
103	Head Attachment	23.2001073
104	Flexible Shaft	31.2001074
105	Flexible Shaft Casing	23.2001075
106	Screw (x2)	10.1002349
107	Main Head Body	23.2001076
108	Screw (x2)	10.1001812
109	Screw	10.1002348
110	Motorwell	23.1002301
111	Screw	23.1002351
112	Drive Shaft Casing	23.1002507
113	Ball Bearing	10.1001453
114	Ball Bearing	10.1001453
115	Safety Ring	10.1001759
116	Safety Ring	10.1001758

117	Sanding Plate Axis	23.1002303
118	Spring	10.1001473
119	Disk Shield	10.1001825
120	Brush	43.1002327
121	Safety Ring	10.1001760
122	Screw (x10)	10.1001956
123	Sanding Plate	23.2001079
124	Abrasive Pad	23.2001078
125	Suction Hose	18.2001077

Number	Description	Purchase Number
126	Retractable Extension 45cm	23.1003201
127	Soft Grip Kit	51.1003201
128	Rear Handle	23.1003193
129	Angle Joint	23.1003186
130	Screw	10.1003207
131	Body Connector	23.1003185
132	Screw (x2)	10.1002727
133	Restrictor Housing	23.2001080
134	Seal	10.2001051
135	Restrictor Kit	06.2001081
136	Seal	23.1001746
137	Reducer Cover	23.1003189
138	Motor Attachment	23.1003190
139	Ball Bearing	10.1001453
140	Reducer Cup	23.1003192
141	Reducer Axis	23.1003191
142	Motor	39.1002436
143	Vacuum Connector 32mm	23.1001888
144	Vacuum Connector 38mm	23.1003195



Use of Device

The Ergo Wall Sander editions may be operated on surfaces such as: Painted walls and ceilings - Drywall, cement walls, ceilings and floors. The device has been manufactured and designed for use under normal conditions and not in an explosive environment. When not in use, you should place the device in such position that it is not worn, where there is no risk of it falling or causing an accident to nearby person. You should never use this device on surfaces that contain metal objects such as (nails, tacks, cables etc) or metal surfaces because these can be charged with electricity and this may cause danger or electrocution of the operator.

General Instructions

Read the complete guide manual before starting off your device. Get yourself familiar with the controls and usage of the device. This device is not intended for use by persons (including under aged) with reduced physical, sensory or mental capabilities, lack of knowledge. Never allow children to use the device. Never use the device when there are children or pets nearby. The user is responsible for any accidents or hazards suffered by third parties or their property. Always check the device, the power cord and the extension cable before using the device. Only operate the tool when it is in good working order and is not damaged in any way. Damaged parts have to be replaced immediately by a qualified service point. Contact manufacturer company for information.

Work Area

Keep your workplace clean and well-illuminated. Do not use this device in an environment where there you run the risk of explosion due to flammable materials or dust

Warranty

VEZOS warrants that greatest efforts will be made to make sure that at the time of delivery all products to be sold to the Distributor shall be free from any defects in material or workmanship. VEZOS after an examination on the problem shall credit, repair or replace, without charge to the Distributor, any such Products that are defective or nonconforming, provided that the Distributor notifies VEZOS of such defective and non-conforming Products by filling the Warranty Claim Form with all the essential information reading the warranty problem. This warranty is conditioned upon the prepaid return of the equipment claimed to VEZOS for verification of the claimed defect. If the claimed defect is verified, VEZOS will repair or replace for free of charge, any defective parts. The equipment will be returned to the original purchaser transportation prepaid. If inspection of the equipment does not disclose any defect in material or workmanship, repairs will be made at a reasonable charge, which charges may include the cost of parts, labour and transportation for testing and evaluation. The credit if the Product, repair or replacement of the Product will be executed only after an examination from VEZOS that for the maintenance and repair of the Products the directions and specifications that are described within the technical manuals of the Products are supplied with the Products, have been followed. The afore-mentioned obligations stretch no further than the warranty VEZOS can claim from his suppliers of each material products. VEZOS makes no warranty and disclaims all implied warranties of merchantability and fitness for a particular purpose in connection with accessories, equipment, materials or components sold but not manufactured by VEZOS. These items sold, but not manufactured by VEZOS (such as electrical parts etc) are subject to warranty, if any, of their own manufacture.

This warranty covers only and exclusively credits of the Product, repairs or replacement of Products and under no circumstances does it cover any other demand for income loss, workmanship damages and accidents of people or users.

Troubleshooting guide

In case the device does not start up, check the following:

The power line is connected to an active outlet

The main switch is at the «on» position

In case the device does not work as expected, check the following:

The abrasive disc is sufficiently attached to the abrasive pad of the device

The abrasive pad is in good condition

There is no dust or other material blocking the flow of the air through the device

The entire surface of the disc is in (vertical) contact with the working surface

Check if the device's outer casing/suction hose or shaft is damaged or torn. If the device still does not function as expected, or if you notice strange or unusual operation of the device,