

Part List Manual: 09.1088157

Product: Wall & Ceiling Sander Handysand Basic Line

Model Part Number: 23.6011001, 23.6001102,
23.6001103, 23.6001104



VEZOS Drywall sander Handysand is a wall & ceiling sander. Due to VEZOS A.R.S. technology (Auto regulated Suction) the Handysand Basic sander will grip to the surface and allow you to sand without lifting the weight of the sander. A retractable extension may be used in all set-up versions.

VEZOS Handysand Basic sander, is a one piece long neck sander, with a telescopic extension of 45cm, for reaching high sanding areas, no tools needed.

Note: In order to achieve the best gripping effect, work with a professional vacuum collector with an efficient self-cleaning filter. All VEZOS sanders, connect to any branded vacuum cleaner, with the vacuum connectors included in your purchased edition for dustless sanding in & outdoors.

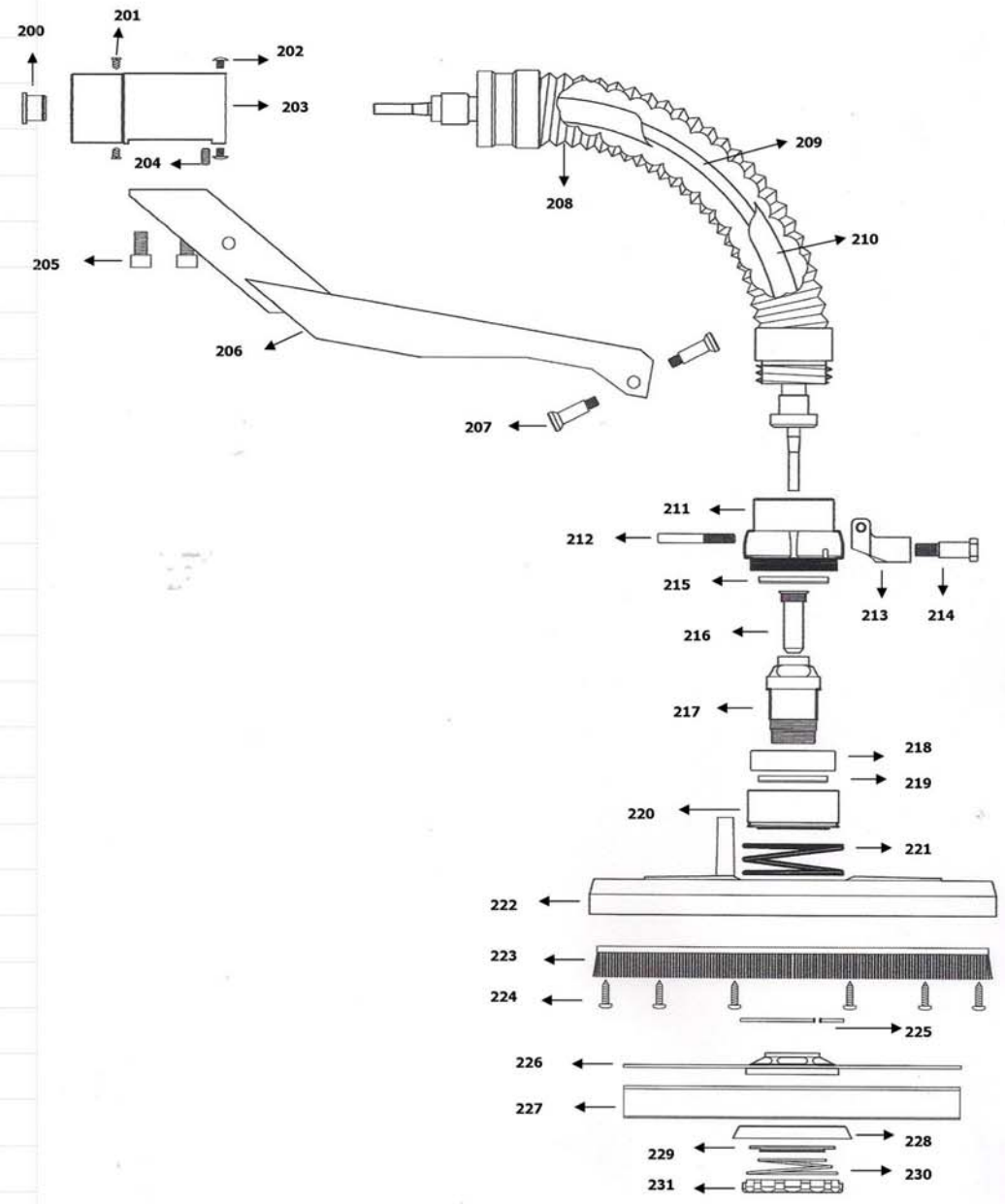
For further tips or advice regarding the Handysand Combo drywall sander, refer to our website www.vezos.co.uk or email our technical service department at technical@vezos.co.uk

Number Description Purchase Number

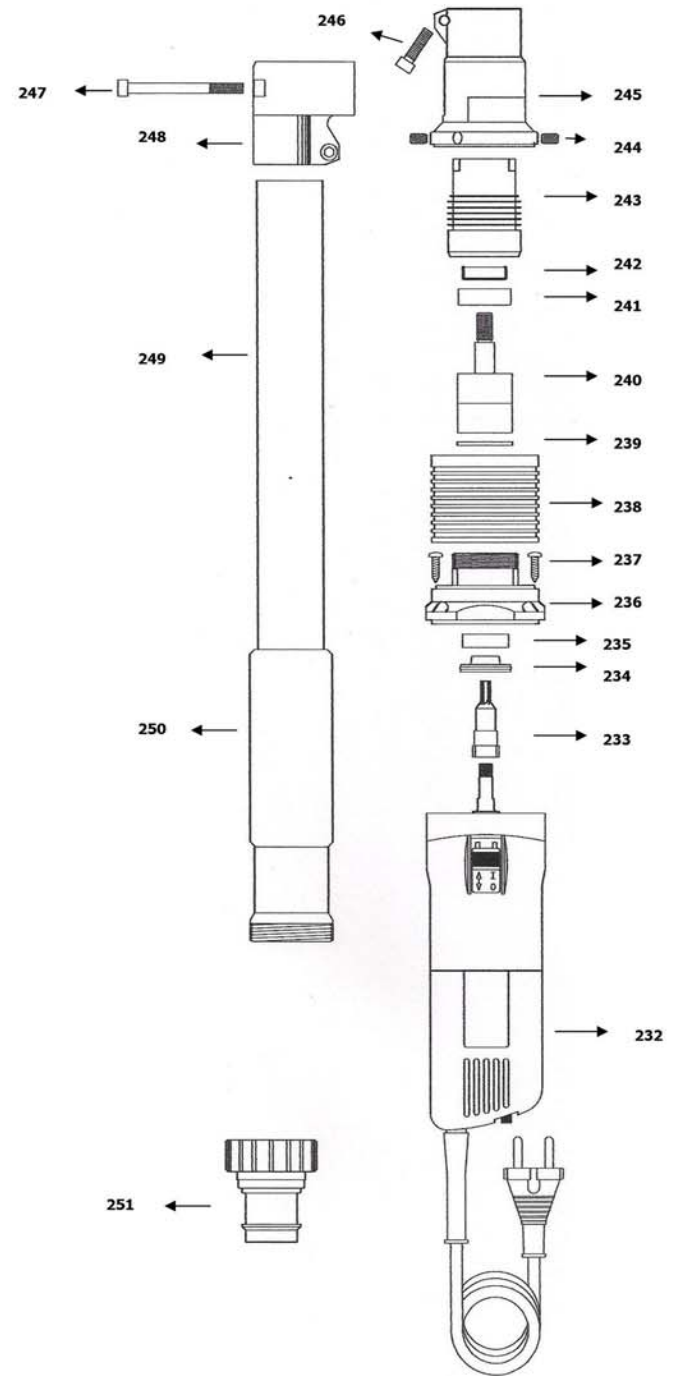
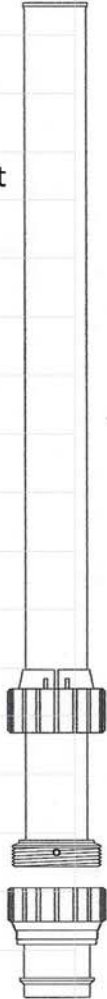
200	Axis Bearing	23.1003351
201	Screw (x2)	10.1003208
202	Screw (x2)	10.1003209
203	Head Attachment	23.1003352
204	Screw (x2)	10.1002157
205	Screw (x2)	10.1002349
206	Main Head Body	23.1002700
207	Screw 4 (x2)	23.1002702
208	Suction Hose	23.1003175
209	Flexible Shaft	31.1002159
210	Flexible Shaft Casing	23.1003174
211	Housing	23.1002127
212	Screw	10.1002348
213	Motorwell	23.1002701
214	Screw	23.1002126
215	Seal	10.1002651
216	Flexible Shaft Rod	23.1002129
217	Drive Shaft	23.1002131
218	Ball Bearing	10.1001937
219	Seal	10.1002651
220	Ball Bearing Casing	23.1002708
221	Spring	10.1002134
222	Disc Shield (B)	23.1002135.b
223	Brush	43.1002327
224	Screw (x10)	10.1001956
225	Safety Ring	10.1002101
226	Sanding Plate	23.1002704
227	Abrasive Pad	23.1002659
228	Disc	23.1002260
229	Spring Disc	23.1002136
230	Valve Spring	10.1002104
231	Nut	23.1002138



Basic line



Number	Description	Purchase Number
232	Motor	39.1002436
233	Reducer Axis	23.1003191
234	Reducer Cup	23.1003192
235	Ball Bearing	10.1001453
236	Motor Attachment	23.1003190
237	Screw (x2)	Available in motor kit
238	Reducer Cover	23.1003189
239	Seal	23.1001746
240	Restrictor Kit	06.1001747
241	Ball Bearing	10.1001510
242	Seal	10.1001748
243	Restrictor Housing	23.1003203
244	Screw (x2)	10.1002727
245	Body Connector	23.1003185
246	Screw	10.1001813
247	Screw	10.1003207
248	Angle Joint	23.1003186
249	Rear Handle	23.1003193
250	Soft Grip Kit	51.1003202
251	Vacuum Connector 32mm	23.1001888
258	Retractable Extension	23.1003201



Product Number	23.6011001	23.6001102
Handysand Edition	Basic Bare	Basic XXL
Sander Line	Basic Line	Basic Line
Sanding Type	A.R.S. Self Grip	A.R.S. Self Grip
Rated Power	750 watt	750 watt
Voltage	220/110 volt	220/110 volt
Speed r.p.m.	550 - 1350	550 - 1350
Drive Cable	8mm	8mm
Power Cable	5m	5m
Weight	4.8kg	4.8kg
Overall Length	163cm	208cm
Working Height	283cm	328cm

Product Number	23.6001103	23.6001104
Handysand Edition	Basic Smart	Basic Transport
Sander Line	Basic Line	Basic Line
Sanding Type	A.R.S. Self Grip	A.R.S. Self Grip
Rated Power	750 watt	750 watt
Voltage	220/110 volt	220/110 volt
Speed r.p.m.	550 - 1350	550 - 1350
Drive Cable	8mm	8mm
Power Cable	5m	5m
Weight	4.8kg	4.8kg
Overall Length	208cm	163cm
Working Height	328cm	283cm



Basic line

Part List Number	Description	Purchase Number
252	Main Axis	23.1003349
253	Soft Grip Kit	51.1003202
254	Main Body	23.1003350
255	Grip On Handle	23.1001892
256	Pressure Releaser	23.1003416
257	Vacuum Connector 38mm	23.1003195
251	Vacuum Connector 32mm	23.1001888

